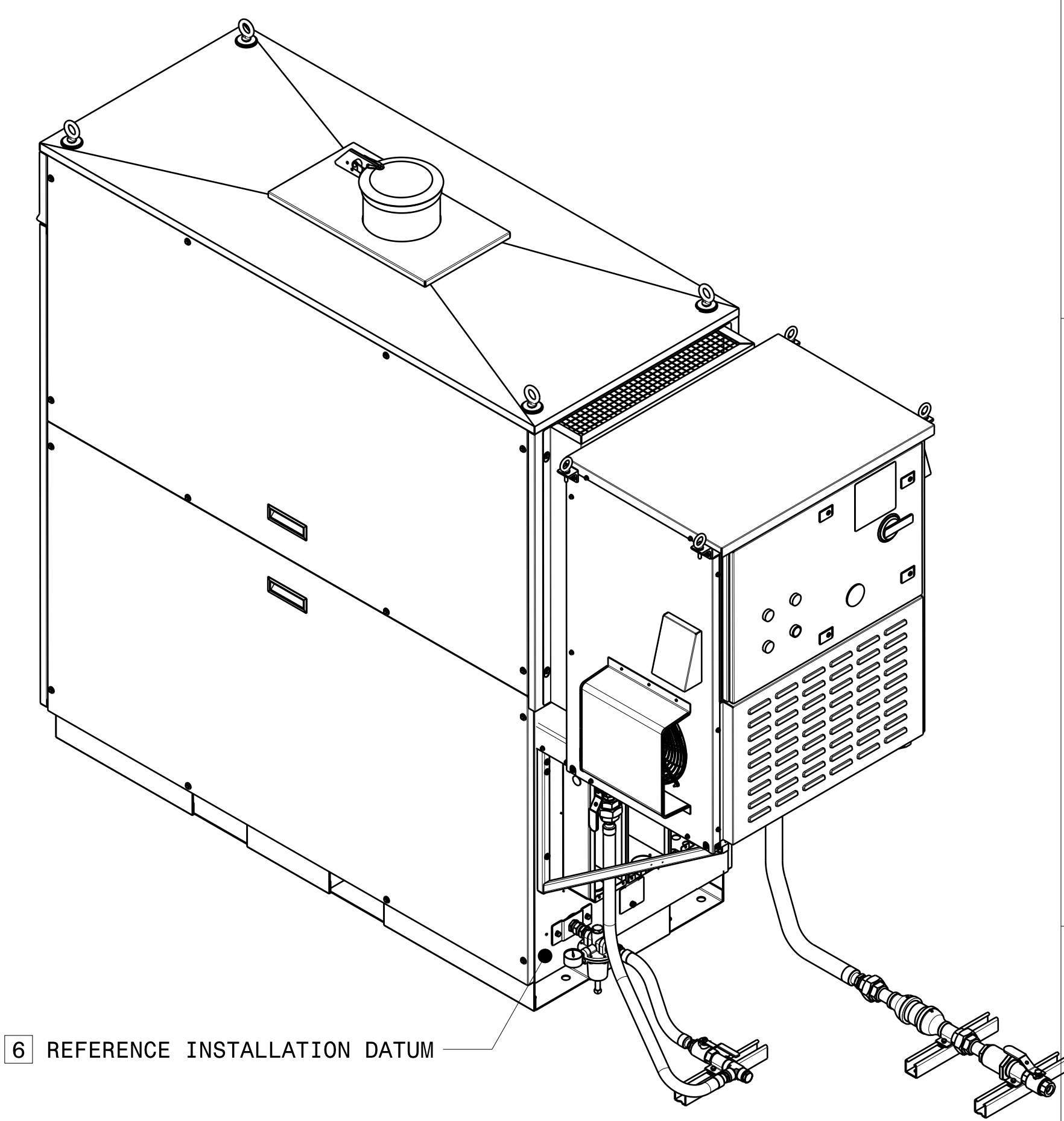
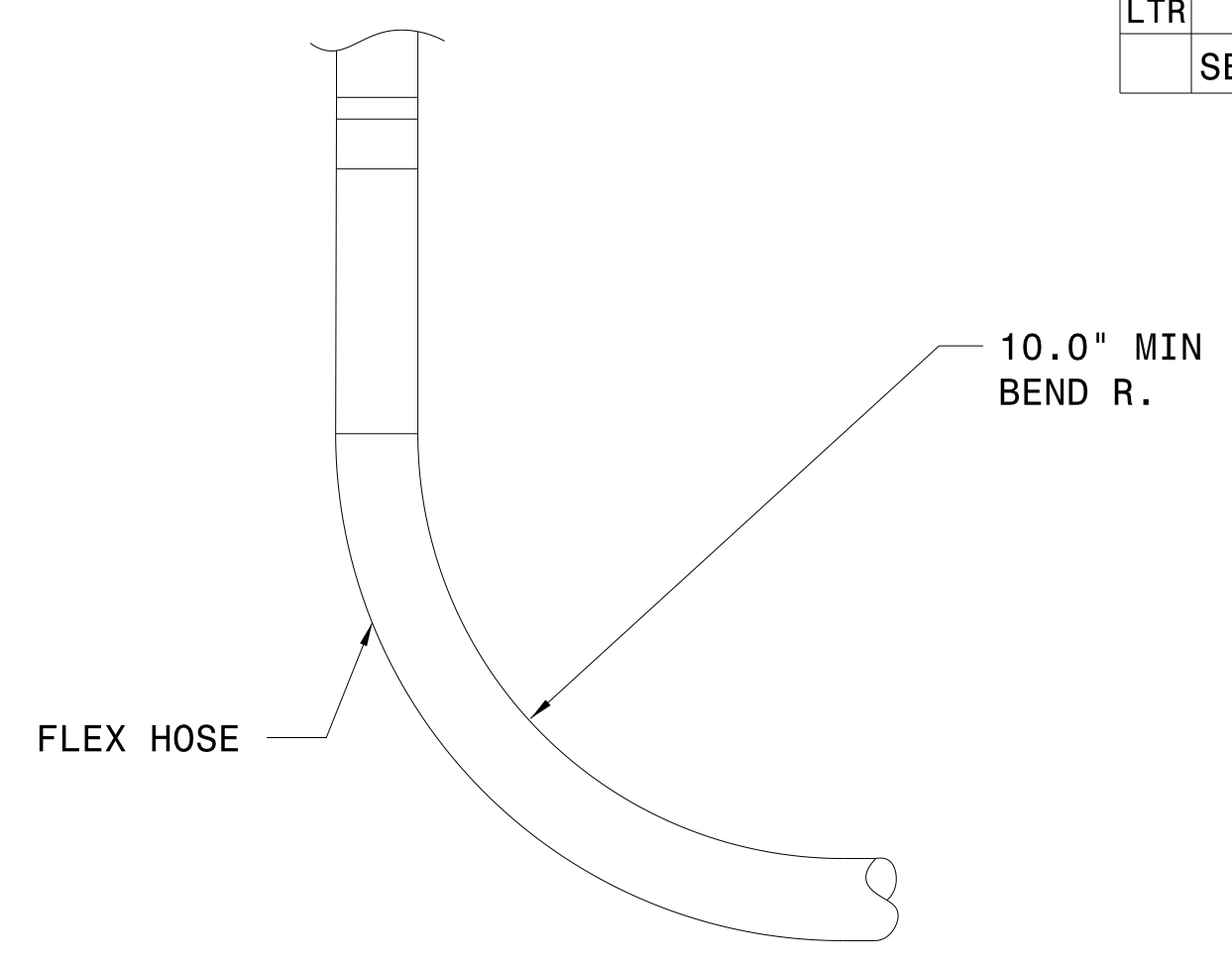
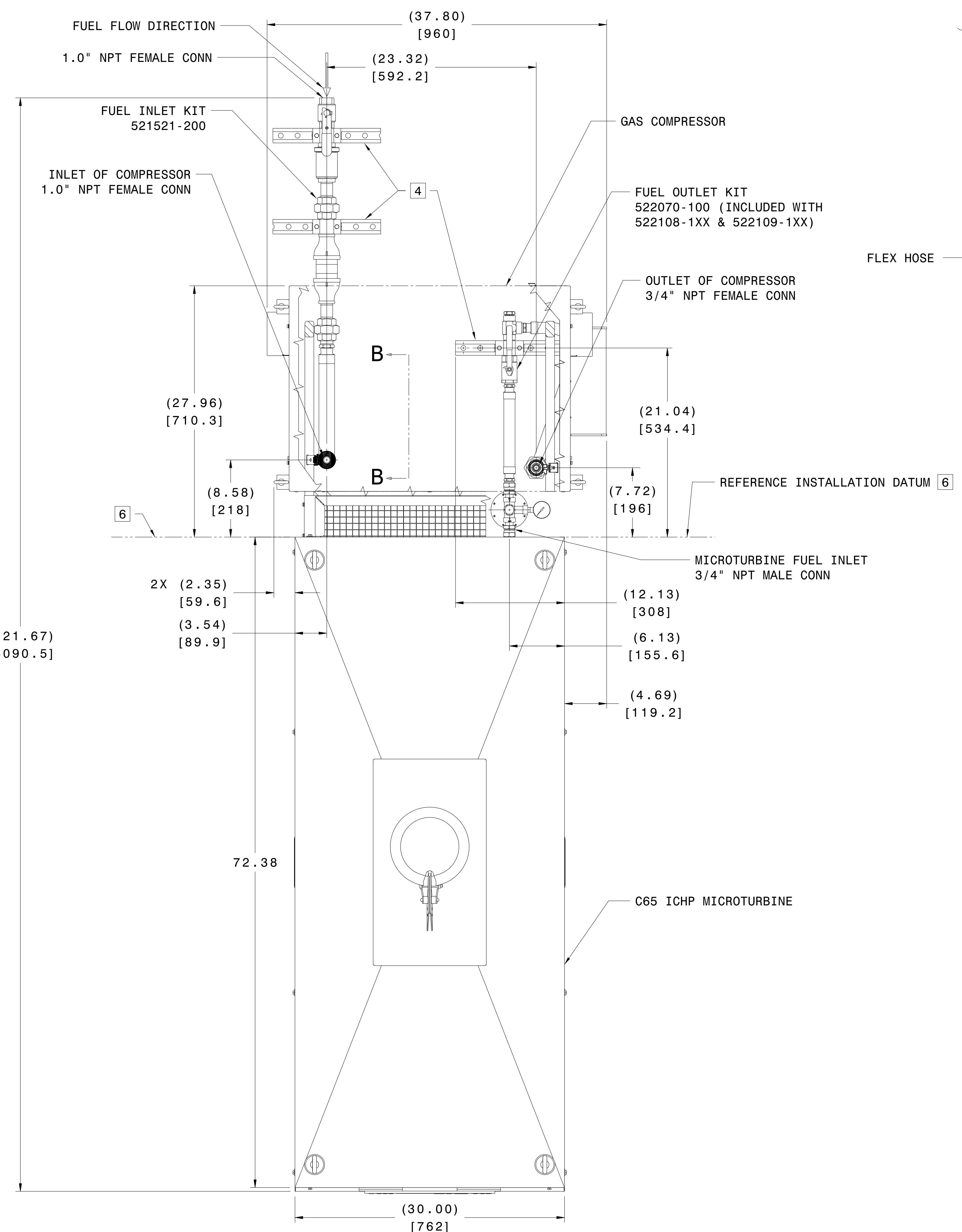


NOTICE
 THIS DOCUMENT CONTAINS INFORMATION WHICH IS BOTH CONFIDENTIAL AND PROPRIETARY TO CAPSTONE TURBINE CORP. NEITHER THIS DOCUMENT NOR THE INFORMATION CONTAINED HEREIN SHALL BE COPIED, DISCLOSED TO OTHERS OR USED FOR ANY PURPOSES BEYOND THE SPECIFIC PURPOSE FOR WHICH THIS DOCUMENT WAS DELIVERED WITHOUT THE EXPRESS WRITTEN PERMISSION OF CAPSTONE TURBINE CORPORATION. 1995 CAPSTONE TURBINE CORPORATION - ALL RIGHTS RESERVED

REVISIONS			
LTR	DESCRIPTION	DATE	APPROVED
	SEE SHEET 1		

**C65 ICHP MICROTURBINE
 GAS TRAIN ASSY WITH FUEL REGULATOR**



COPY IS UNCONTROLLED; USER IS RESPONSIBLE TO VERIFY CURRENT REVISION

CENT:CDI Plot at 11/15/2007 5:12:15 PM -10010372_C2D_000.CATDrawing